

Optosource

Optical Reflector for Bridgelux ES Star Array



- Specially design for Bridgelux ES-Star array series LEDs
- Reflector material metallized PC, with high UV and temperature resistance
- Small position pins, fastening to heat sink with droplets glue

Reflector types



Order code	FWHM Angle	Cover
QR04415-C1C-BEST	±8	Clear
QR04428-C1C-BEST	±14	Clear
QR04440-C1C-BEST	±20	Clear
QR04460-C1C-BEST	±30	Clear

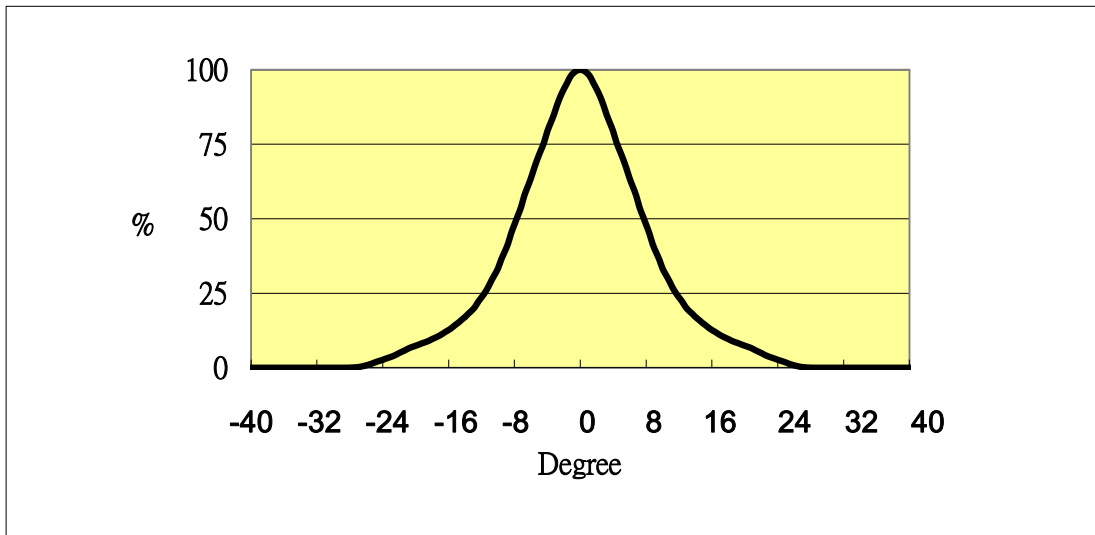


QR04440-C1F-BEST	±22	Fuzzy
------------------	-----	-------

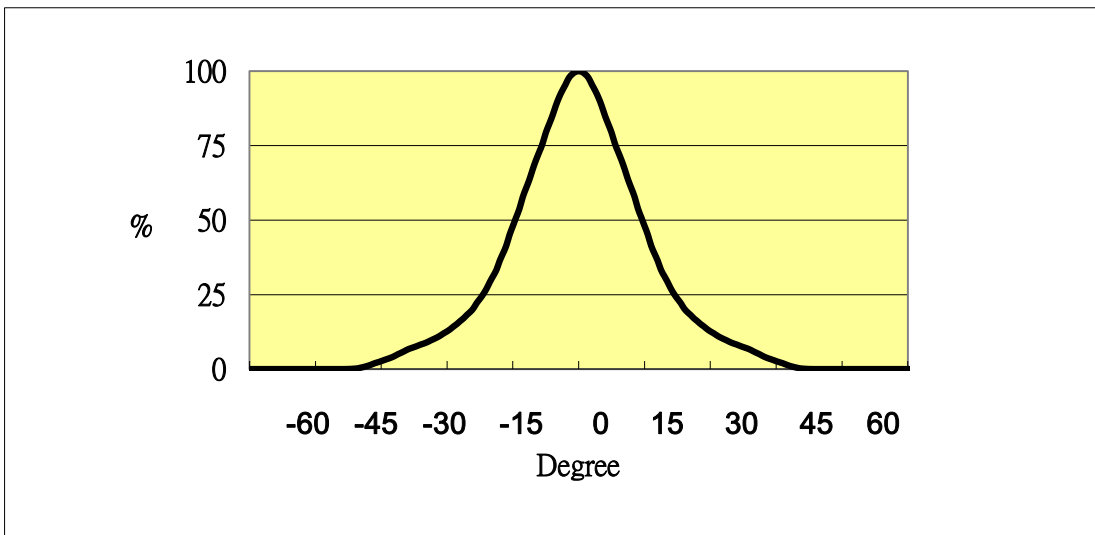
Optosource

Measurements

Relative Intensity of QR04415-C1C-BEST



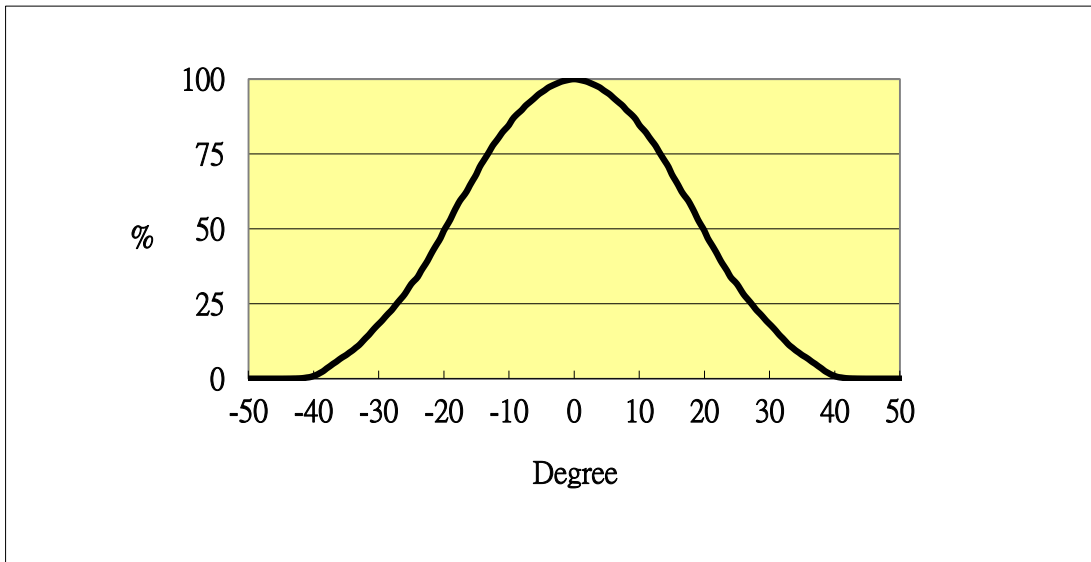
Relative Intensity of QR04428-C1C-BEST



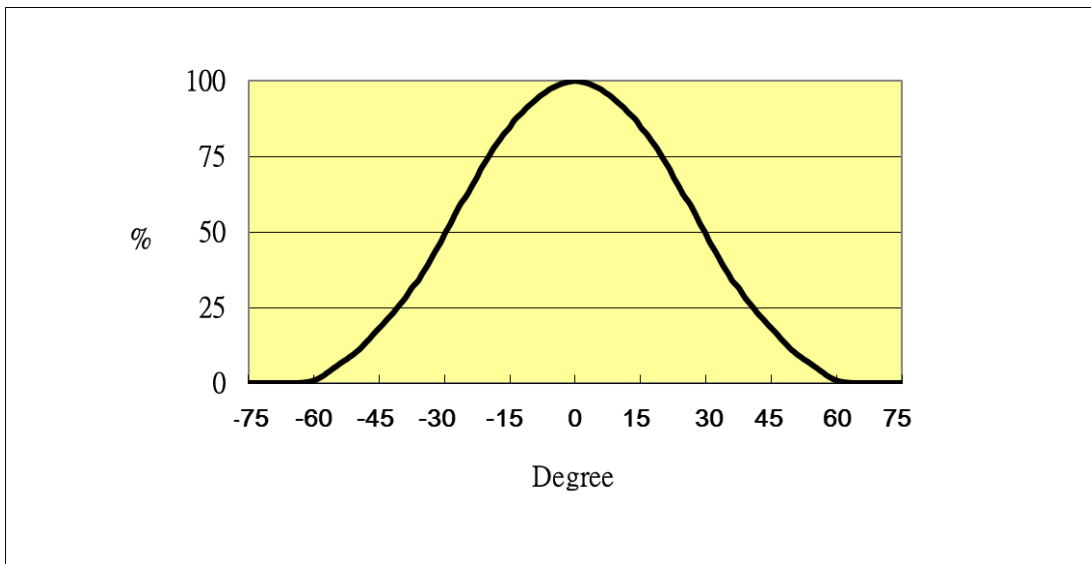
Optosource

Measurements

Relative Intensity of QR04440-C1C-BEST



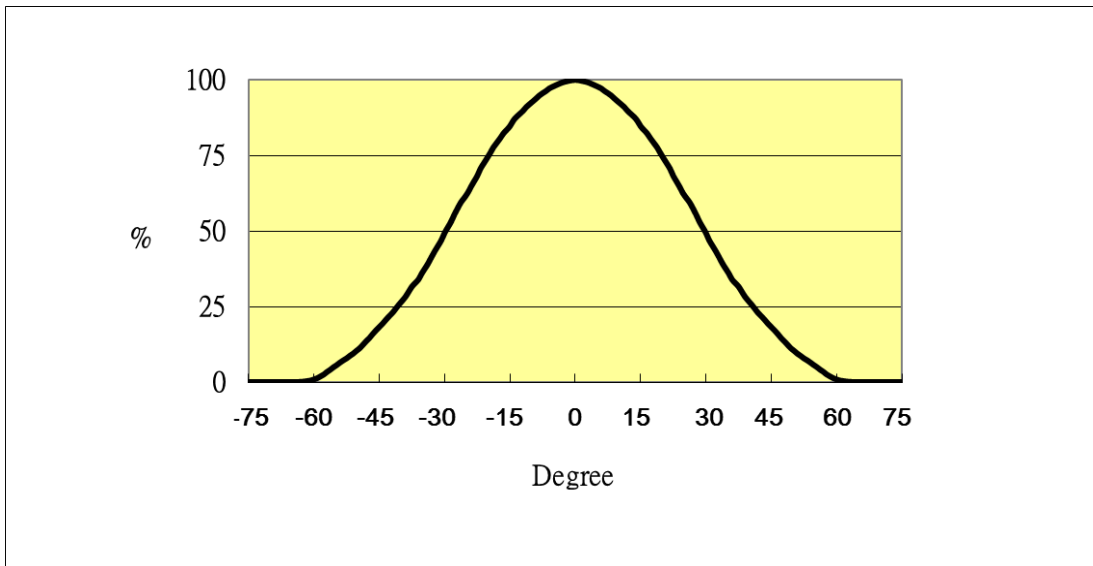
Relative Intensity of QR04460-C1C-BEST



Optosource

Measurements

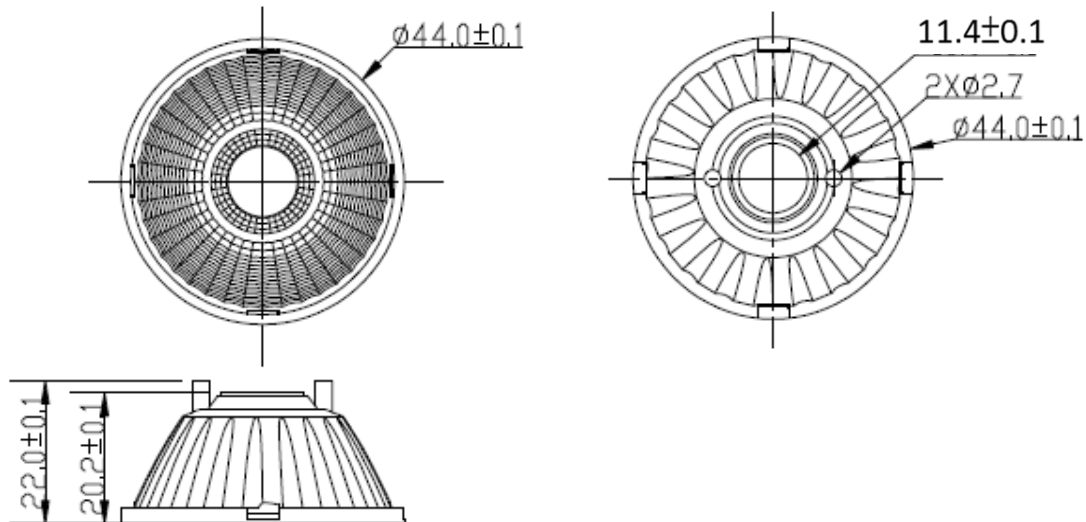
Relative Intensity of QR04440-C1F-BEST



Optosource

Drawings

QR04415-C1C-BEST



QR04428/40/60-C1C/F-BEST

