

Optosource

Optical Reflector for Bridgelux Vero 13 COB



- Specially design for Bridgelux Vero 13 series LEDs.
- Reflector material metallized PC, with high UV and temperature resistance.
- Small position pins, fastening to Vero orifice with droplets glue.

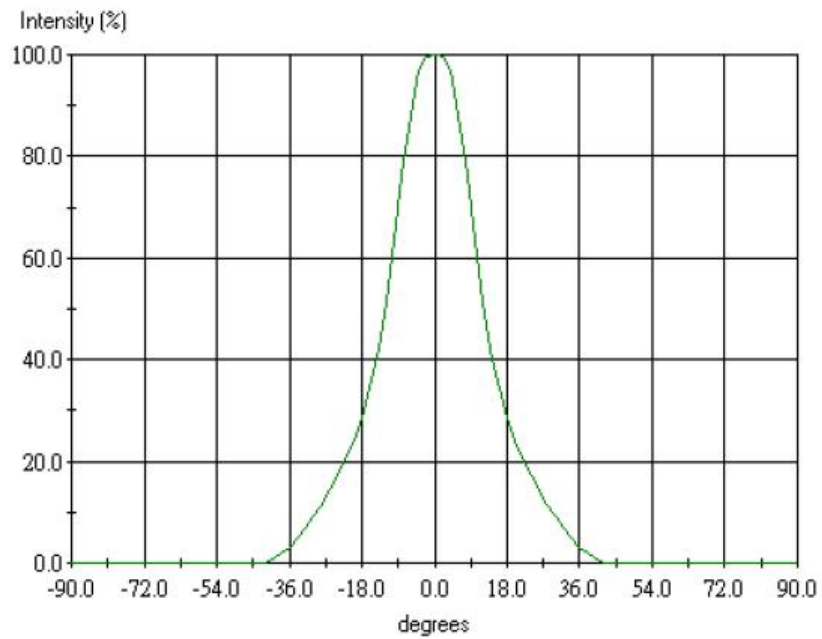
Reflector Types

Order Code	FWHM Angle	Cover	Holder
BR06215-C1C-BV13	±12	With Clear Cover	Without Holder
BR06230-C1C-BV13	±19	With Clear Cover	Without Holder
BR06260-C1C-BV13	±30	With Clear Cover	Without Holder

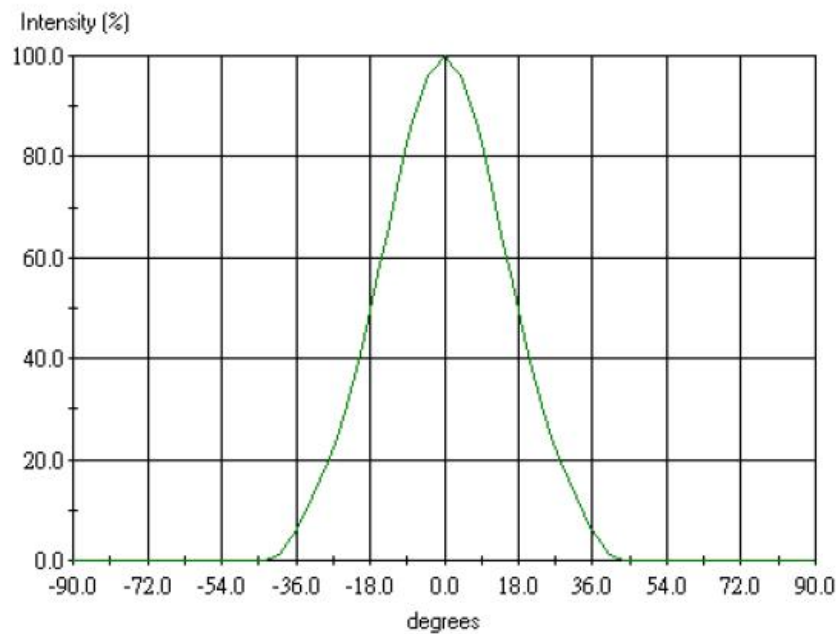
Optosource

Measurements

Relative Intensity of BR06215-C1C-BV13



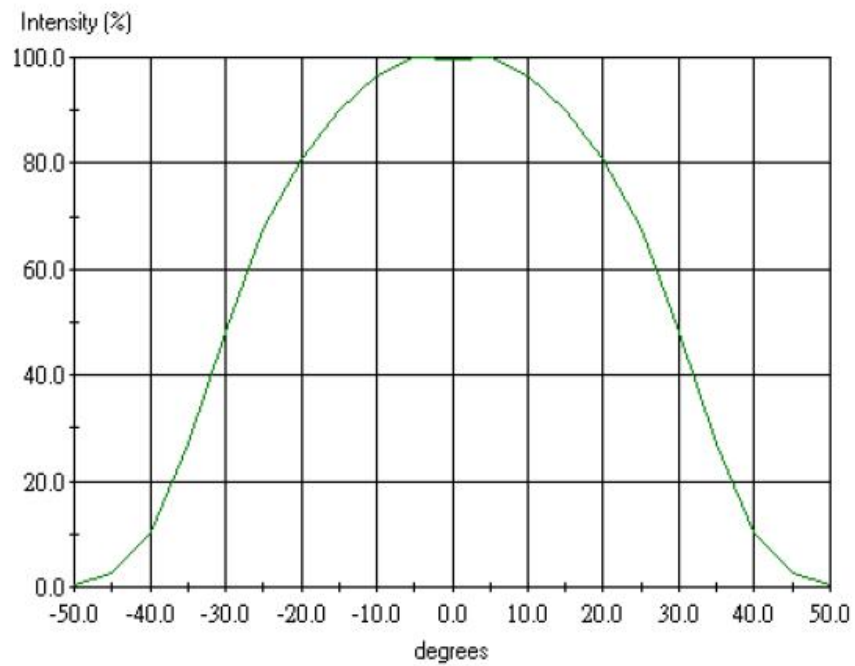
Relative Intensity of BR06230-C1C-BV13



Optosource

Measurements

Relative Intensity of BR06260-C1C-BV13

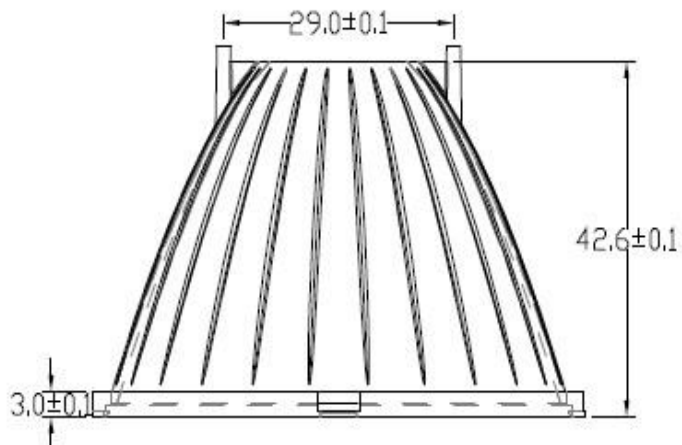
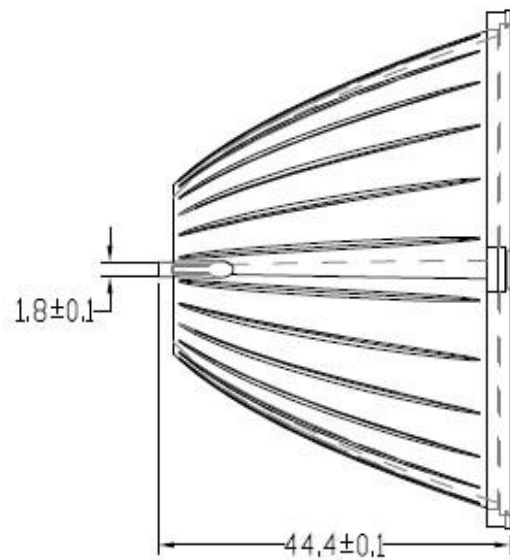
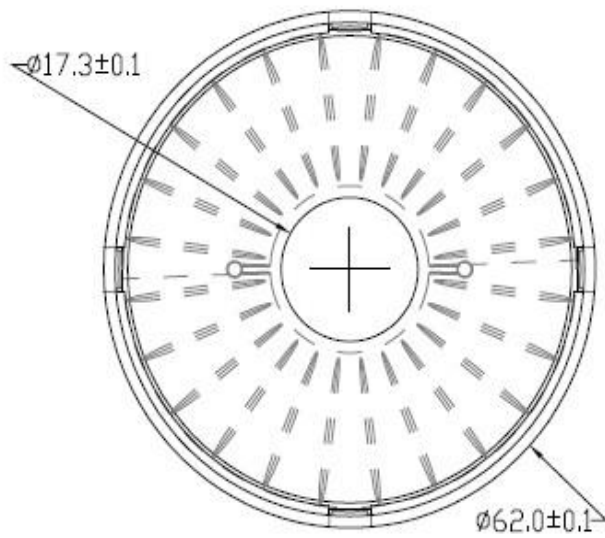


Optosource

Drawings

BR06215-C1C-BV13

BR06230-C1C-BV13



Optosource

Drawings

BR06260-C1C-BV13

