

PS-LEDP85-C (85 WATT)

(PRELIMINARY INFORMATION)

Description:

This product is a AC to DC power device of 85W with 55Vdc (max.) voltage and 1500mA (max.) constant current. Industrial grade power supply with high efficiency.

Features:

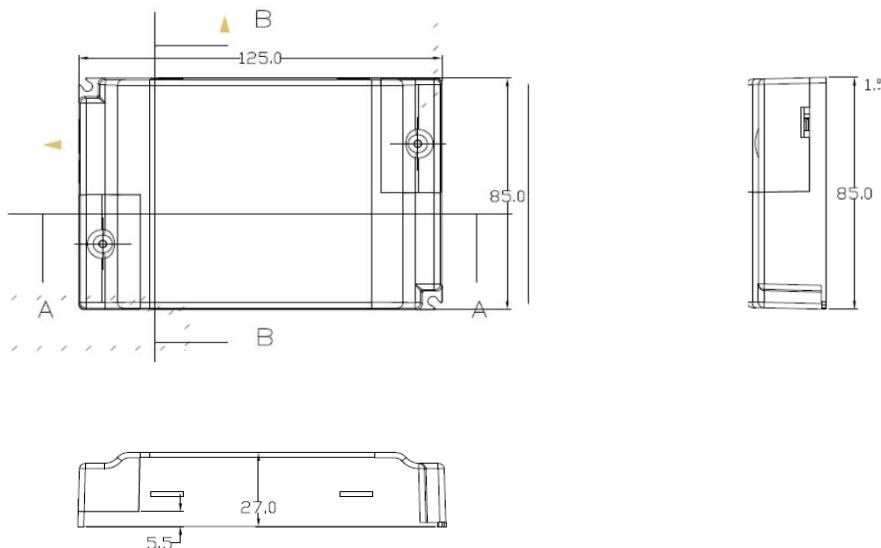
- Wide AC Input
- Power Factor >0,9
- Fully Regulated Output
- High Efficiency >85%
- Output Power 85 Watt (max.)
- Programmable Output Current
- Slim - Line



Temperature & Humidity:

Operating Temperature Range:	-30°C ~ +60°C
Storage Temperature Range:	-30°C ~ +80°C
Operation Humidity:	5% to 80%
Storage Humidity:	5% to 90%

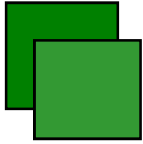
Dimensions: L x B x H: 125 x 85 x 27 mm.



Power Systems – The Power Solution

Web: www.Power-Systems.de
Email: Info@Power-Systems.de

Address: Hauptstr. 48 ; 74360 Ilsfeld-Auenstein / Germany
Tel. : + 49 / 70 62 / 67 59 - 6
Fax: + 49 / 70 62 / 67 59 - 800



PS-LEDP85-C (85 WATT)

(PRELIMINARY INFORMATION)

Electrical Characteristics:

Input	AC Voltage	90 ~ 264Vac
	Frequency Range	50Hz
	AC Current	<2,0A
	Efficiency	>85%
	Power Factor	>0,9
Output	DC Voltage	55Vdc (max.)
	DC Current Range	0~ 1500mA (Programmable by plug)
	Rated Power	85W
	Ripple/ Noise	<240m Vpp
Protection	IP Standard	IP20
	Over Power Protection	TBD
	Over Temperature Protection	TBD
	Short Circuit Protection	TBD
	Automatic Re-Start	TBD

Safety / EMC Specification:

Safety Referring Standards	CE	EN61347-1
		EN61347-2-13
	EMI	EN55015
		EN61000-3-2
	EMS	EN61000-3-3
		EN61547

Order Key: For Programmable Output Current

Model No.	Iout in Adc	Vout in Vdc	
		Min	Max
PS-LEDP85-C	1500*	-	55
	1200	-	55
	1050*	-	55
	950	-	55
	840*	-	55
	700*	-	55
	500	-	55
	480	-	55
	400	-	55
	350	-	55

Example: Plug Order Key

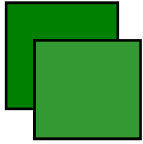
- PS-LEDP-Plug 1500
- PS-LEDP-Plug 1200
- PS-LEDP-Plug 0400

* These plugs are included.

Power Systems – The Power Solution

Web: www.Power-Systems.de
Email: Info@Power-Systems.de

Address: Hauptstr. 48 ; 74360 Ilsfeld-Auenstein / Germany
Tel. : + 49 / 70 62 / 67 59 - 6
Fax: + 49 / 70 62 / 67 59 - 800



PS-LEDP85-C (85 WATT)

(PRELIMINARY INFORMATION)

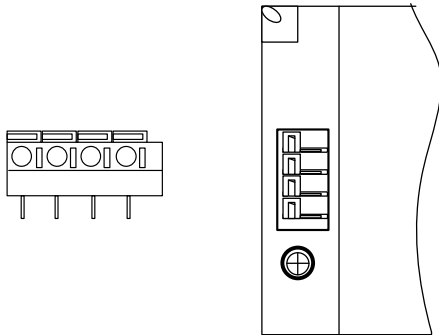
Reliability:

MTBF: 50.000 hours at 25°C.
100% burn-in with 80~100% loading & 35~45°C environment temperature.

Drop test: Test height 76cm, after drop test no function abnormally to be noted.

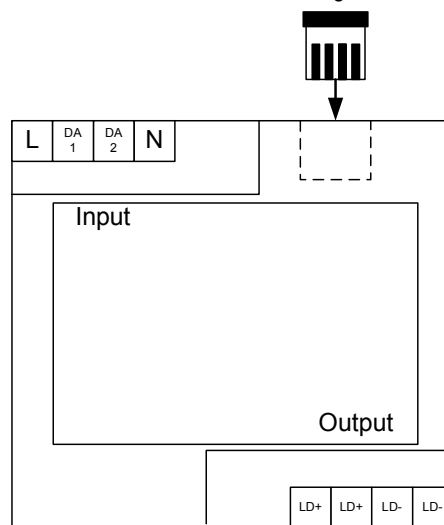
Vibration Test: Non-operation vibration with shipping container shall be 1.5G peak, 5~500Hz.
Operation vibration shall be 0.75G peak, 5~500Hz, 3 planes.
After test no abnormally to be noted.

Input Terminal: Clamp

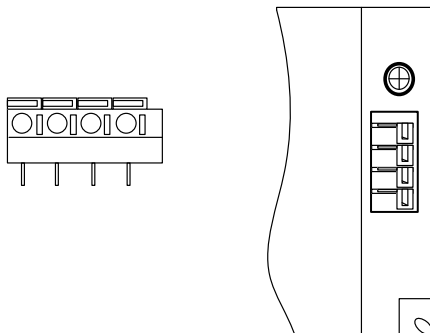


Current selector Plug to adjust the LED output current

Plug in



Output Terminal: Clamp



Power Systems – The Power Solution

Web: www.Power-Systems.de
Email: Info@Power-Systems.de

Address: Hauptstr. 48 ; 74360 Ilsfeld-Auenstein / Germany
Tel. : + 49 / 70 62 / 67 59 - 6
Fax: + 49 / 70 62 / 67 59 - 800